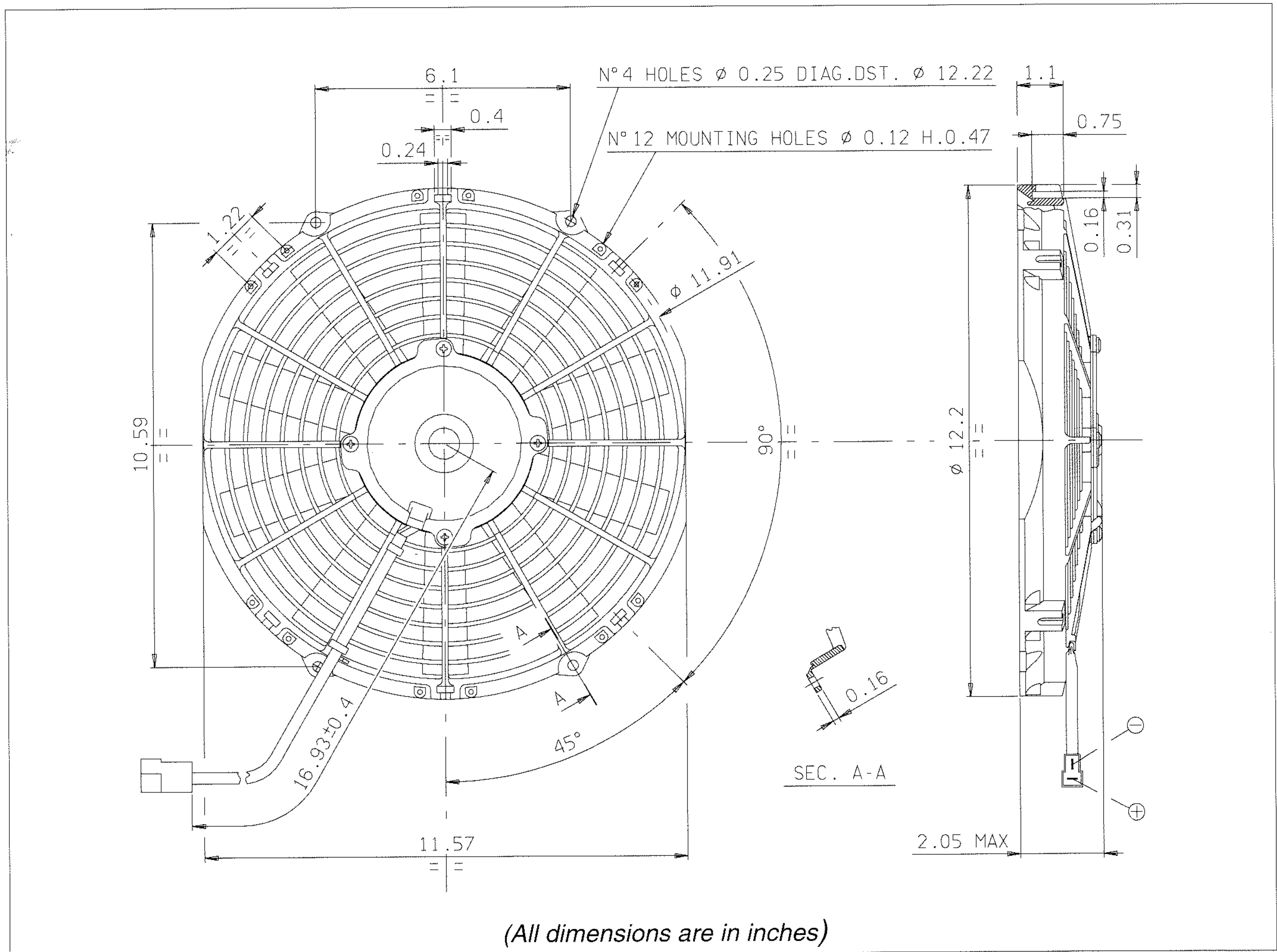


Art. 30100364 30100365	Type VA09 - AP8/C - 27A Pull VA09 - AP8/C - 27S Push	Fan diameter 11"
-------------------------------------	---	----------------------------



* Weight 2.5 lbs. approx.

* Closed motor

* Long life

* Available accessories: all the mounting kits.

Test voltage 13 V DC

Static pressure	Airflow	Current input
in. H ₂ O	cfm	A
0	810	6.8
0.1	740	7
0.2	660	7.2
0.3	560	7.3
0.4	460	7.3
0.5	310	7.3
0.6	180	7.3
0.7	—	7.3

Static pressure: 1 mm H₂O = 0,04 in. H₂O
 Airflow: 1 m³/h = 0,59 cfm