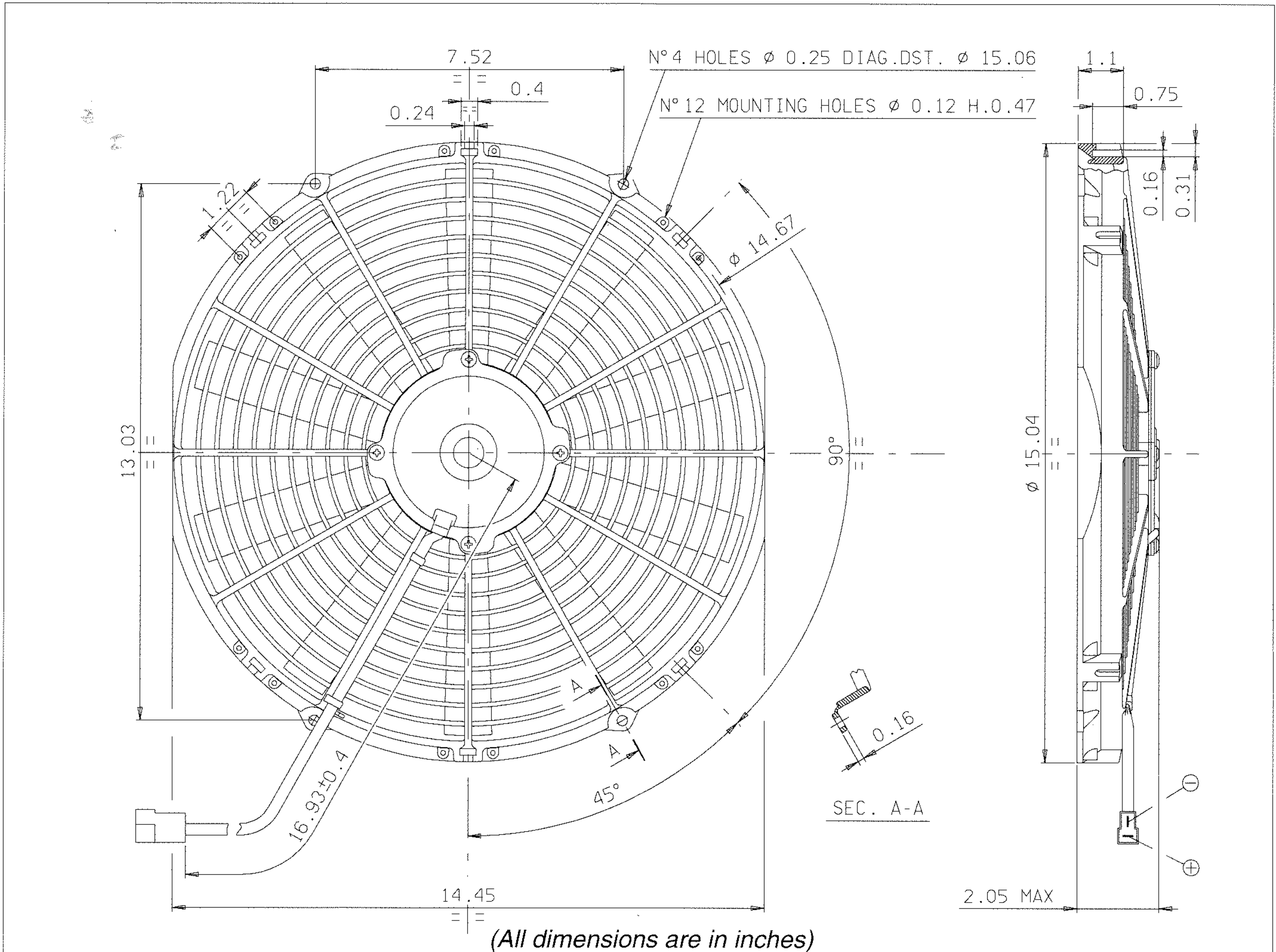


Art. 30100385 30100382	Type VA08 - AP10/C - 23A Pull VA08 - AP10/C - 23S Push	Fan diameter 14"
------------------------------	--	---------------------



[Empty box for notes]

* Weight 2.9 lbs. approx.

* Closed motor

* Long life

* Available accessories: all the mounting kits.

[Empty box for notes]

Test voltage 13 V DC

Static pressure	Airflow	Current input
in. H ₂ O	cfm	A
0	960	6.3
0.1	810	6.5
0.2	650	6.7
0.3	440	6.4
0.4	210	6.5
0.5	—	6.5

Static pressure: 1 mm H₂O = 0,04 in. H₂O
Airflow: 1 m³/h = 0,59 cfm