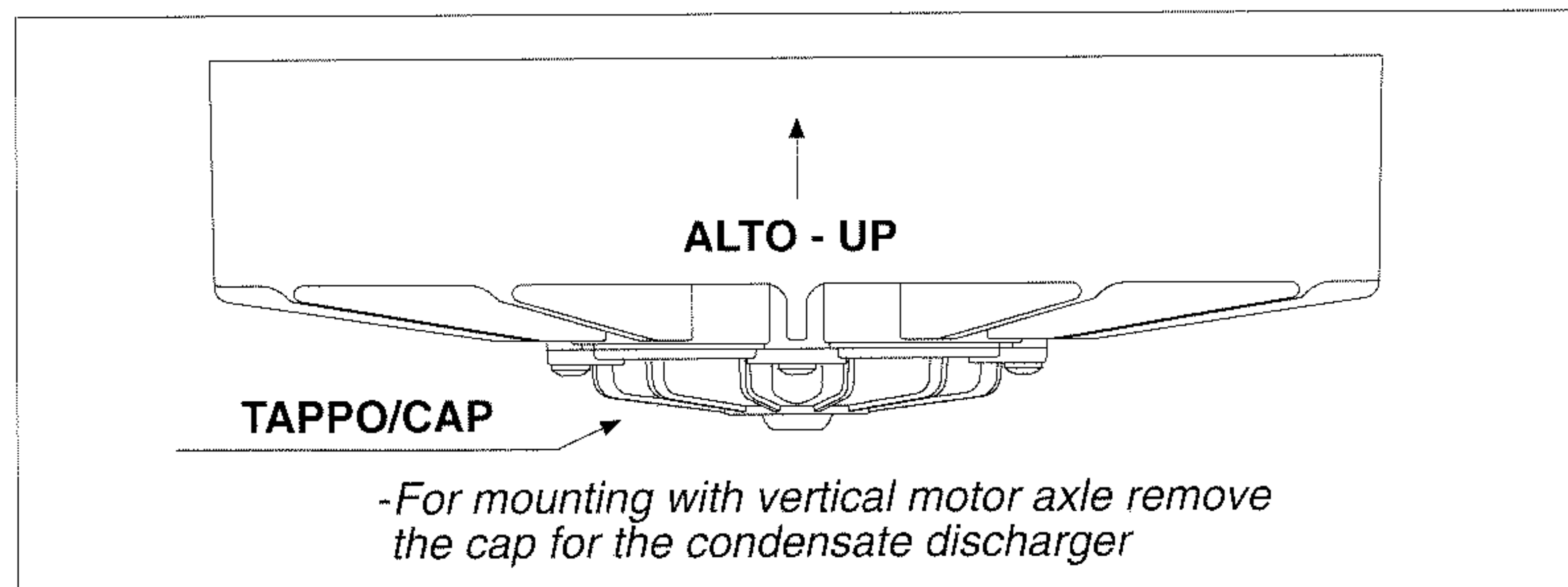
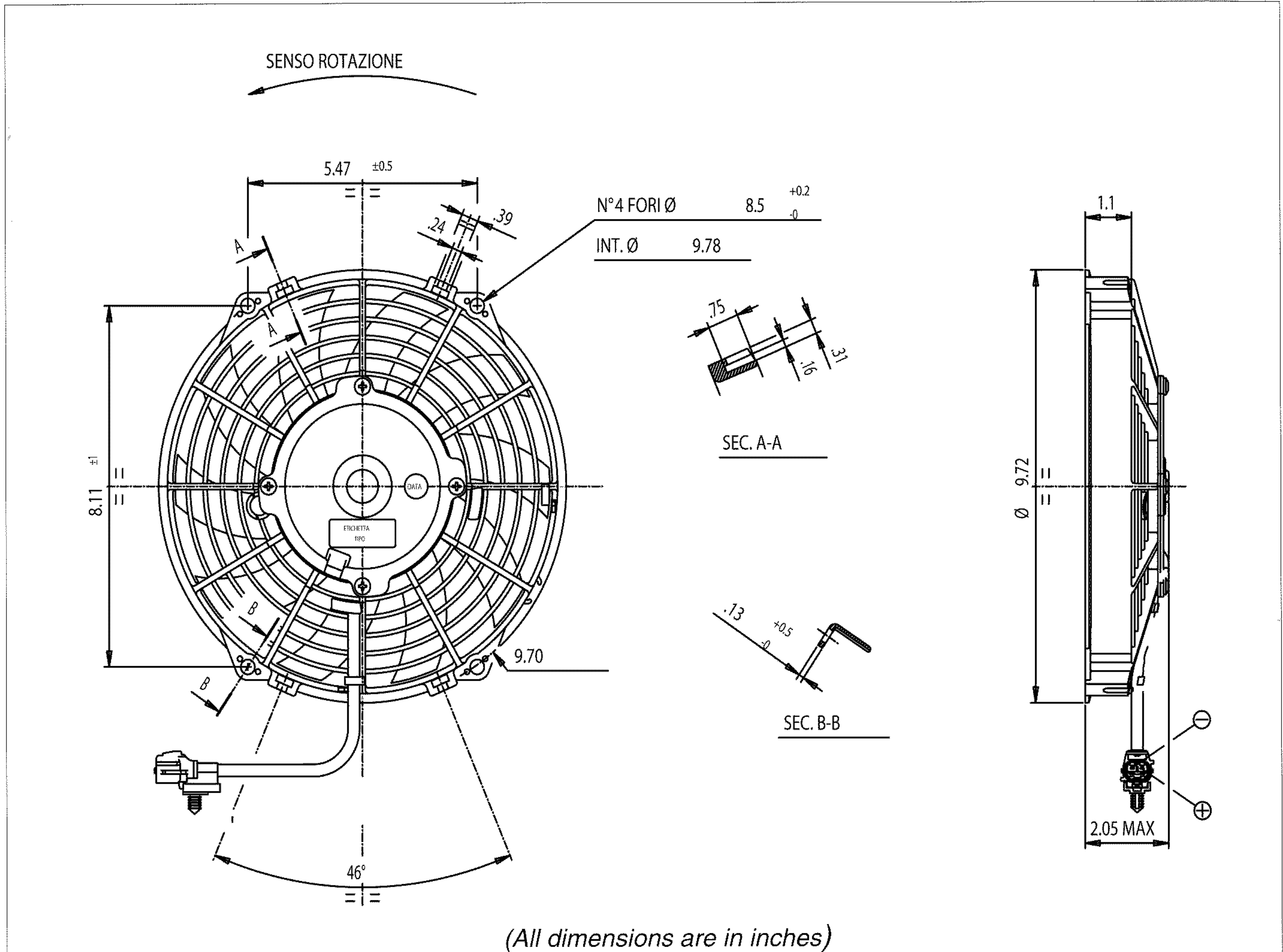


Art. 30100452 30100454	Type VA07-AP12/C-58 A Pull VA07-AP12/C-58 S Push	Fan diameter 9"
--	--	---------------------------



- *Weight 2.2 lbs. approx.
- *Closed Motor
- *Long Life
- *Available accessories: all the mounting kits

Test voltage 13 V DC

Static pressure	Airflow	Current input
in. H ₂ O	cfm	A
0	708	7.4
0.2	602	7.5
0.4	443	7.6
0.5	331	7.6
0.6	247	7.6
0.7	148	7.6

Static pressure: 1 mm H₂O = 0,04 in. H₂O
Airflow: 1 m³/h = 0,59 cfm