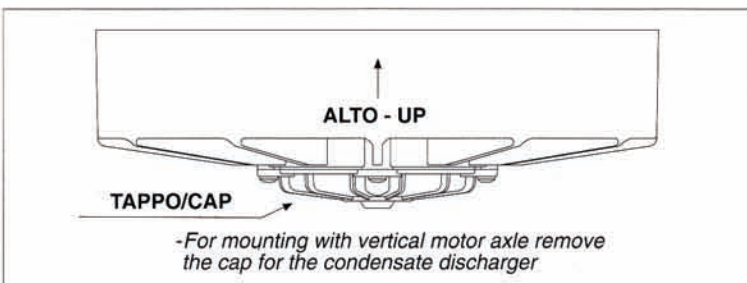
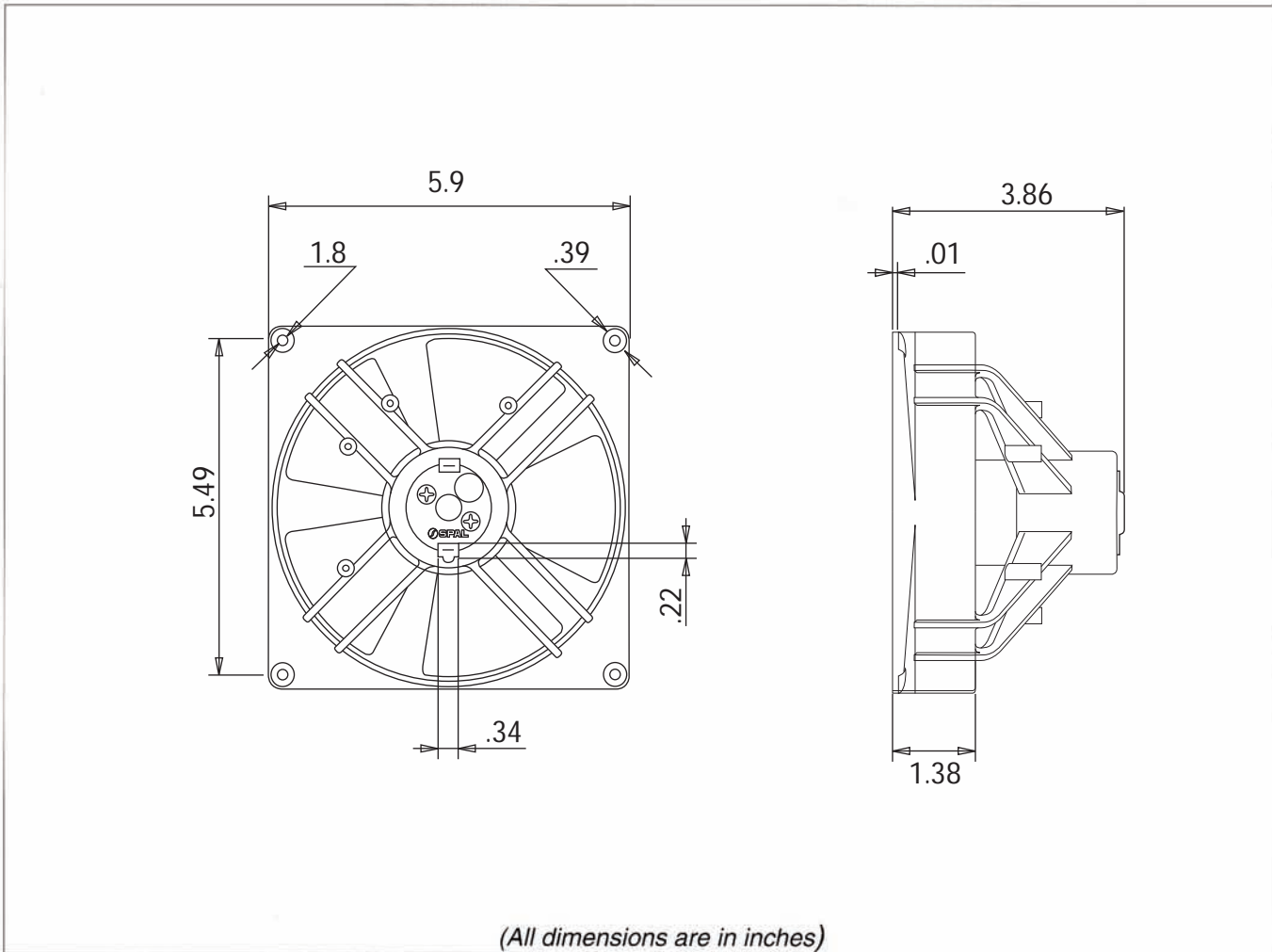


<b>Art.</b> 30100291 30100292	<b>Type</b> VA21-A37-45 A Pull VA21-A37-45 S Push	<b>Fan diameter</b> 5.6"
-------------------------------------	---	-----------------------------



- \* Weight 5.17 lbs. approx.
- \* Long life
- \* Fan with back skewed blades
- \* Low noise
- \* Available accessories: all the mounting kits.

Test voltage 13 V DC

Static pressure in H <sub>2</sub> O	PUSH		PULL	
	Airflow cfm	Current input A	Airflow cfm	Current input A
0	295	2.5	295	2.5
0.1	266	2.6	266	2.6
0.2	248	2.7	248	2.7
0.3	212	2.9	212	2.9
0.4	177	2.9	177	2.9
0.5	118	3.0	118	3.0
0.6	89	3.1	89	3.1
0.7	71	3.3	71	3.3
0.8	-	3.4	-	3.4

Static pressure: 1 mm H<sub>2</sub>O = 0,04 in. H<sub>2</sub>O  
 Airflow: 1 m<sup>3</sup>/h = 0,59 cfm