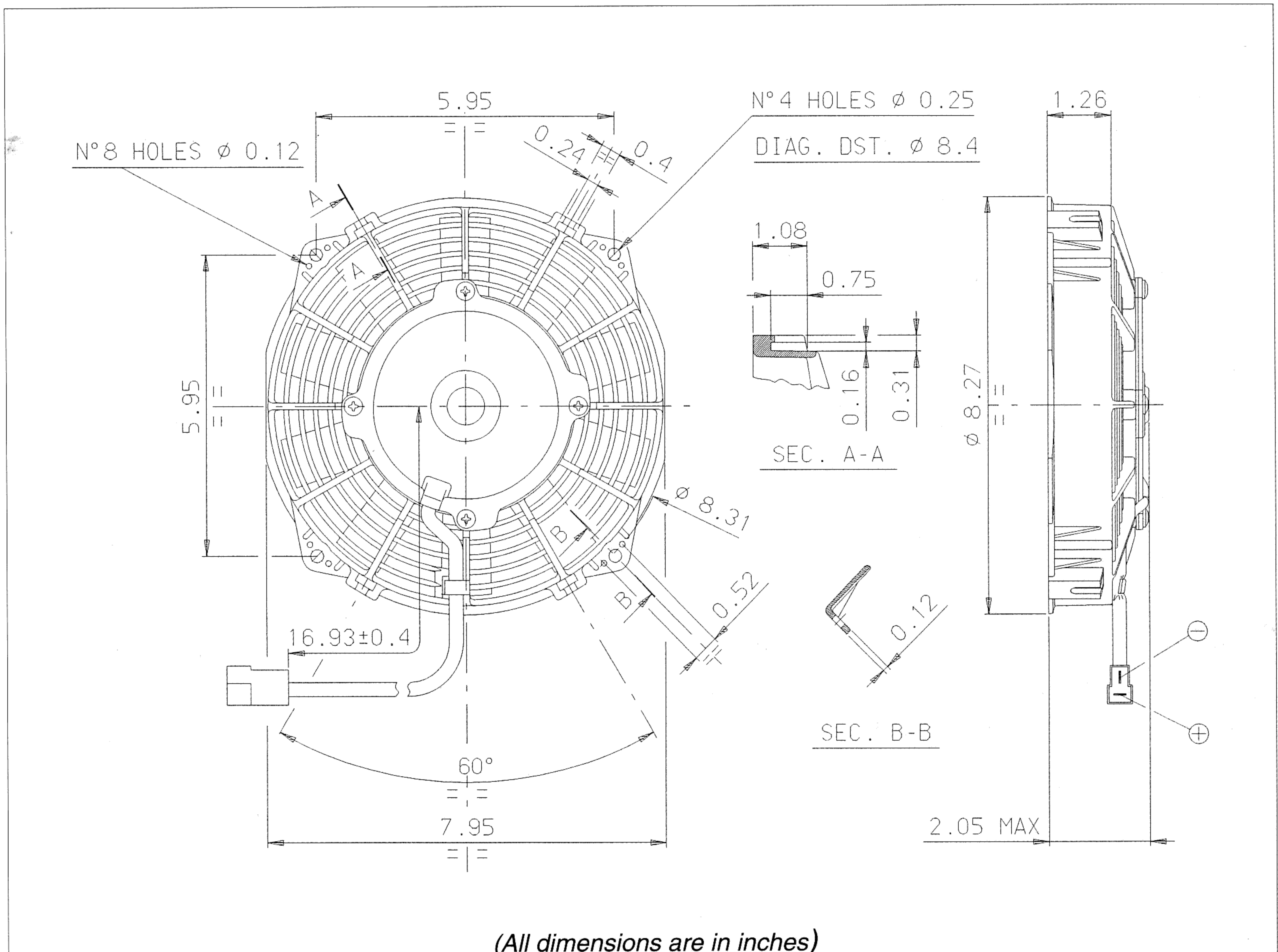


| | | |
|------------------------------|--|----------------------|
| Art. 30100358 30100393 | Type VA14 - AP7/C - 34A Pull VA14 - AP7/C - 34S Push | Fan diameter 7.5" |
|------------------------------|--|----------------------|



* Weight 2 lbs. approx.

* Closed motor

* Long life

* Available accessories: all the mounting kits.

Test voltage 13 V DC

| Static pressure | Airflow | Current input |
|----------------------|---------|---------------|
| in. H ₂ O | cfm | A |
| 0 | 440 | 5 |
| 0.1 | 410 | 5 |
| 0.2 | 370 | 5.2 |
| 0.3 | 340 | 5.3 |
| 0.4 | 310 | 5.3 |
| 0.5 | 240 | 5.3 |
| 0.6 | 200 | 5.4 |
| 0.7 | 120 | 5.4 |
| 0.8 | — | 5.5 |

Static pressure: 1 mm H₂O = 0,04 in. H₂O
Airflow: 1 m³/h = 0,59 cfm