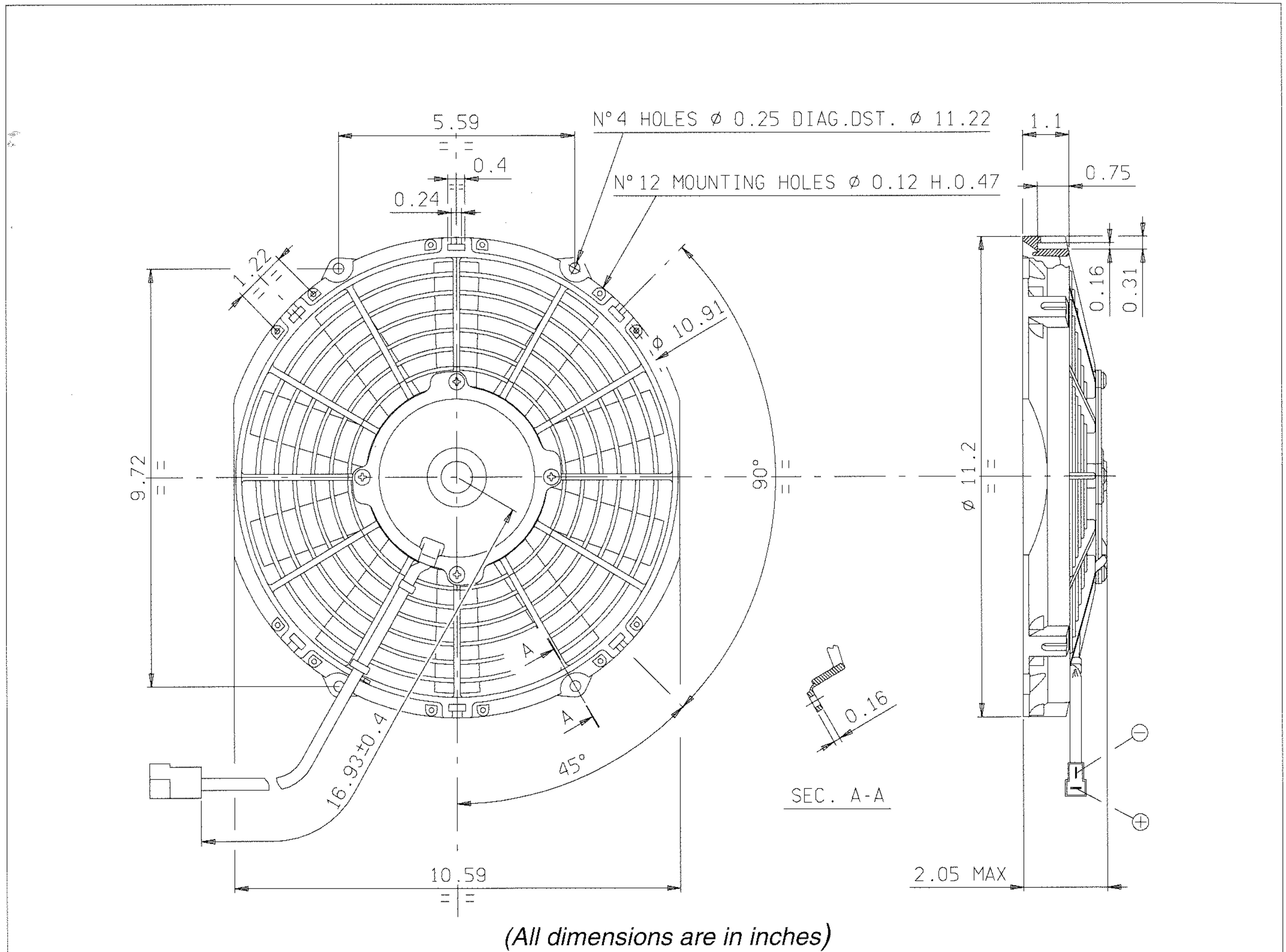


Art. <b>30100360</b> <b>30100374</b>	Type <b>VA11 - AP8/C - 29A Pull</b> <b>VA11 - AP8/C - 29S Push</b>	Fan diameter <b>10"</b>
--	--	----------------------------



\_\_\_\_\_

- \* Weight 2.2 lbs. approx.
- \* Closed motor
- \* Long life
- \* Available accessories: all the mounting kits.

\_\_\_\_\_

Test voltage 13 V DC

Static pressure	Airflow	Current input
in. H <sub>2</sub> O	cfm	A
0	650	6.4
0.1	590	6.4
0.2	530	6.4
0.3	480	6.4
0.4	390	6.4
0.5	240	6.5
0.6	140	6.5
0.7	—	6.5

Static pressure: 1 mm H<sub>2</sub>O = 0,04 in. H<sub>2</sub>O  
 Airflow: 1 m<sup>3</sup>/h = 0,59 cfm