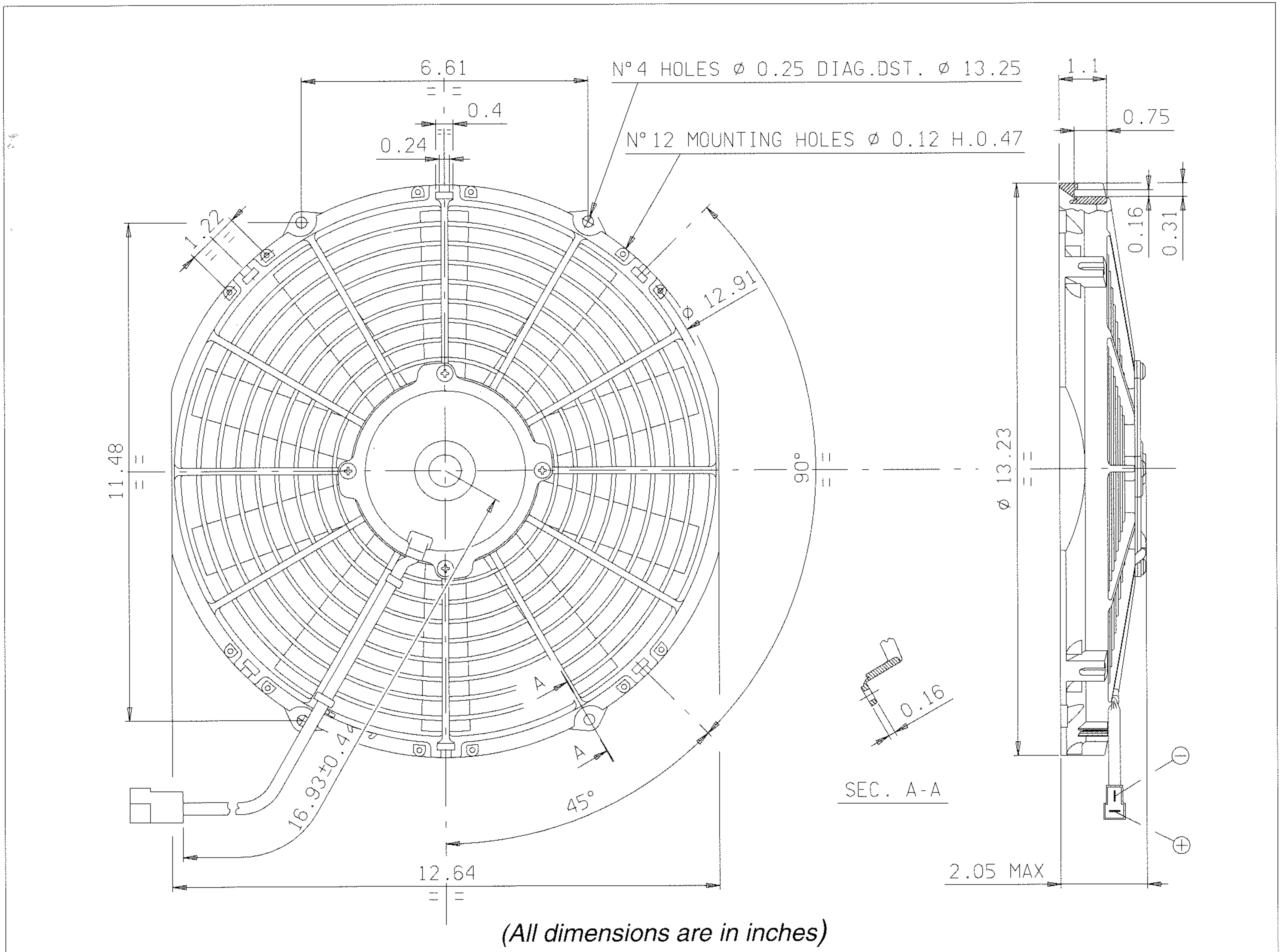


<p>Art. 30100375 30100384</p>	<p>Type VA10 - AP9/C - 25A Pull VA10 - AP9/C - 25S Push</p>	<p>Fan diameter 12"</p>
---------------------------------------	---	-----------------------------



[Empty box for notes]

* Weight 2.5 lbs. approx.

* Closed motor

* Long life

* Available accessories: all the mounting kits.

[Empty box for notes]

Test voltage 13 V DC

Static pressure	Airflow	Current input
in. H ₂ O	cfm	A
0	870	7
0.1	770	7.2
0.2	680	7.4
0.3	590	7.5
0.4	430	7.4
0.5	240	7.4
0.6	100	7.4
0.7	—	7.4

Static pressure: 1 mm H₂O = 0,04 in. H₂O
Airflow: 1 m³/h = 0,59 cfm