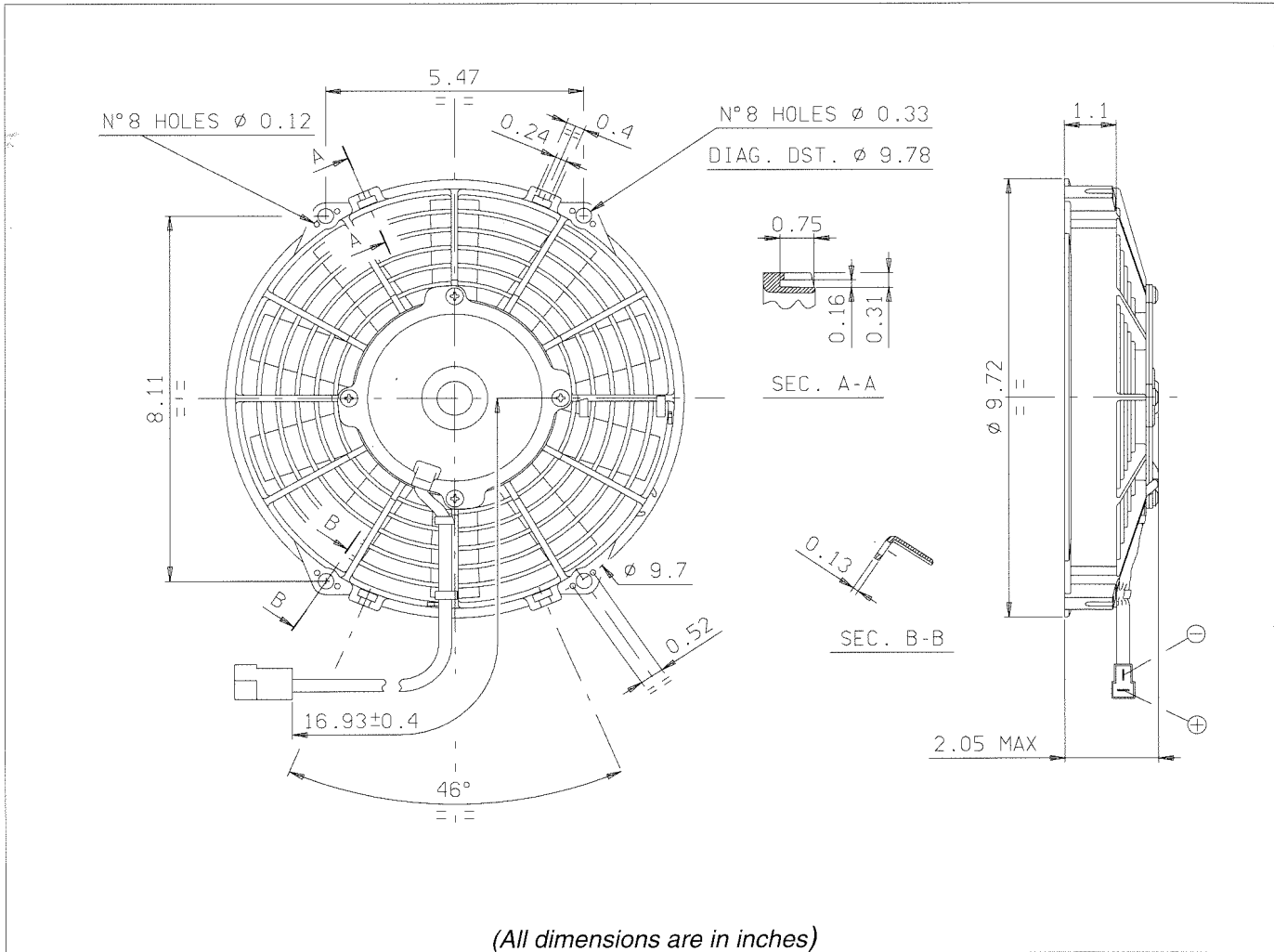


|                                       |   |                            |
|---------------------------------------|---|----------------------------|
| <p>Art.<br/>30100392<br/>30100381</p> | <p>Type<br/>VA07 - AP12/C - 31A Pull<br/>VA07 - AP12/C - 31S Push</p> | <p>Fan diameter<br/>9"</p> |
|---------------------------------------|---|----------------------------|



\_\_\_\_\_

\* Weight 2.2 lbs. approx.

\* Closed motor

\* Long life

\* Available accessories: all the mounting kits.

\_\_\_\_\_

Test voltage 13 V DC

| Static pressure      | Airflow | Current input |
|----------------------|---------|---------------|
| in. H <sub>2</sub> O | cfm     | A             |
| 0                    | 590     | 6             |
| 0.1                  | 530     | 6.3           |
| 0.2                  | 480     | 6.3           |
| 0.3                  | 430     | 6.4           |
| 0.4                  | 380     | 6.4           |
| 0.5                  | 300     | 6.4           |
| 0.6                  | 220     | 6.5           |
| 0.7                  | 120     | 6.6           |
| 0.8                  | —       | 6.6           |

Static pressure: 1 mm H<sub>2</sub>O = 0,04 in. H<sub>2</sub>O  
Airflow: 1 m<sup>3</sup>/h = 0,59 cfm