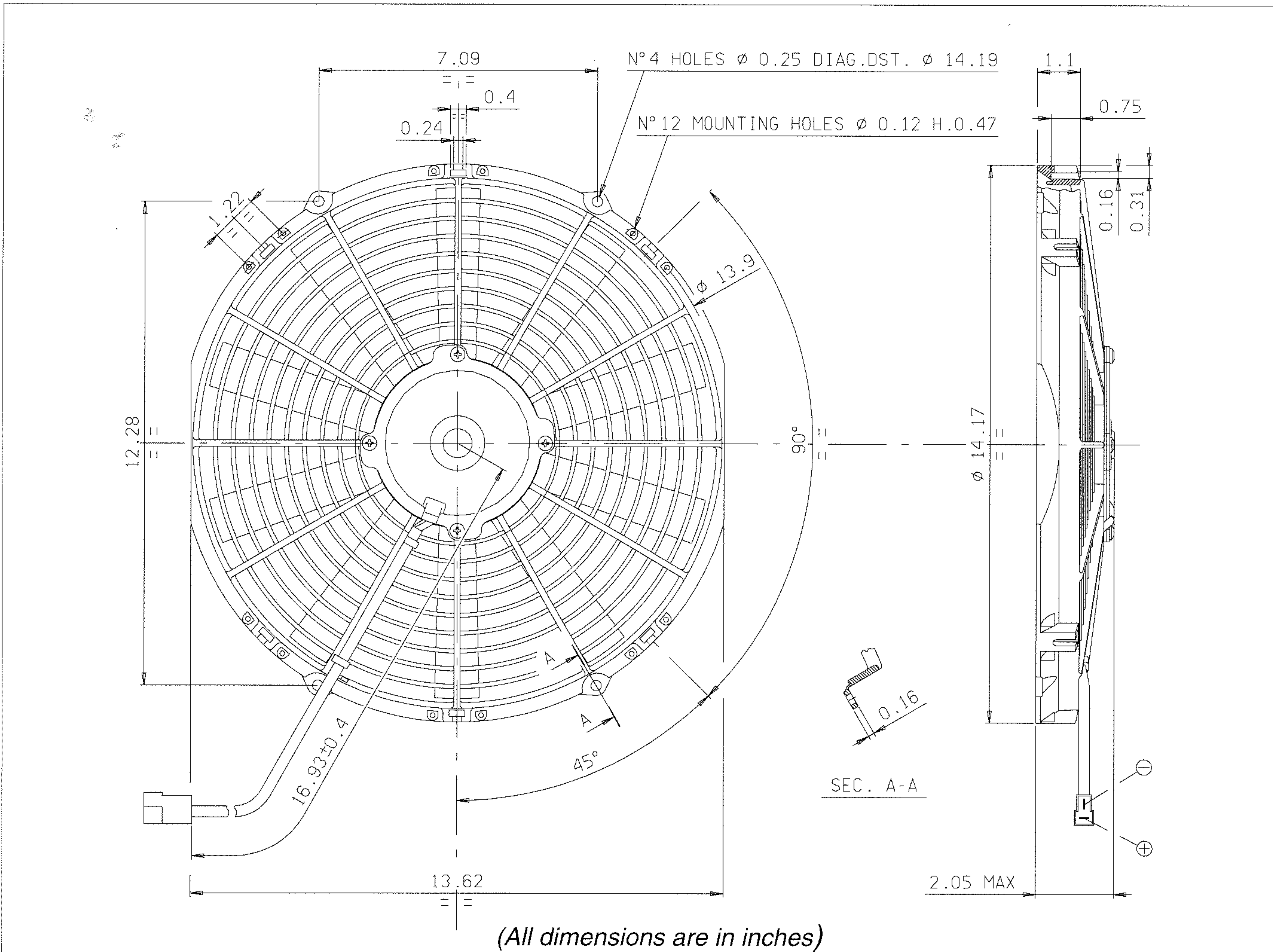


Art. 30100398 30100399	Type VA13 - AP9/C - 35A Pull VA13 - AP9/C - 35S Push	Fan diameter 13"
------------------------------	--	---------------------



* Weight 2.5 lbs. approx.

* Closed motor

* Long life

* Available accessories: all the mounting kits.

Test voltage 13 V DC

Static pressure	Airflow	Current input
in. H ₂ O	cfm	A
0	920	6.7
0.1	810	6.8
0.2	670	6.9
0.3	540	6.9
0.4	330	6.9
0.5	—	6.8

Static pressure: 1 mm H₂O = 0,04 in. H₂O
Airflow: 1 m³/h = 0,59 cfm