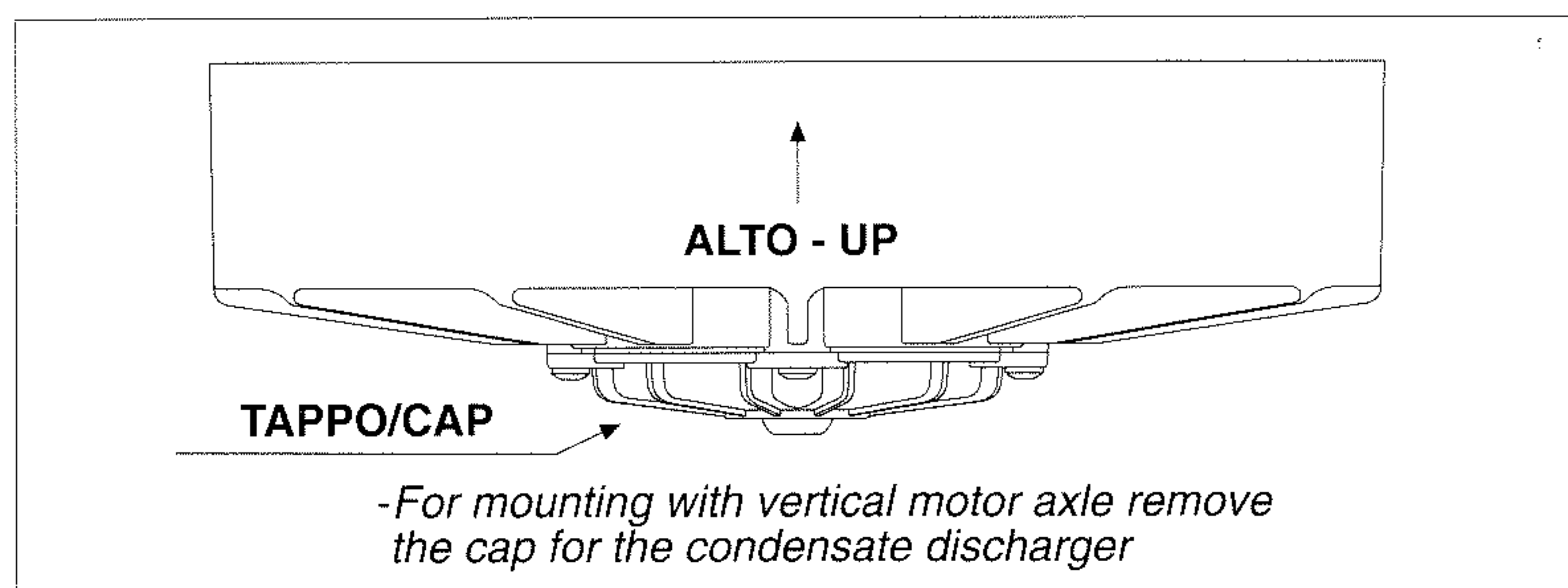
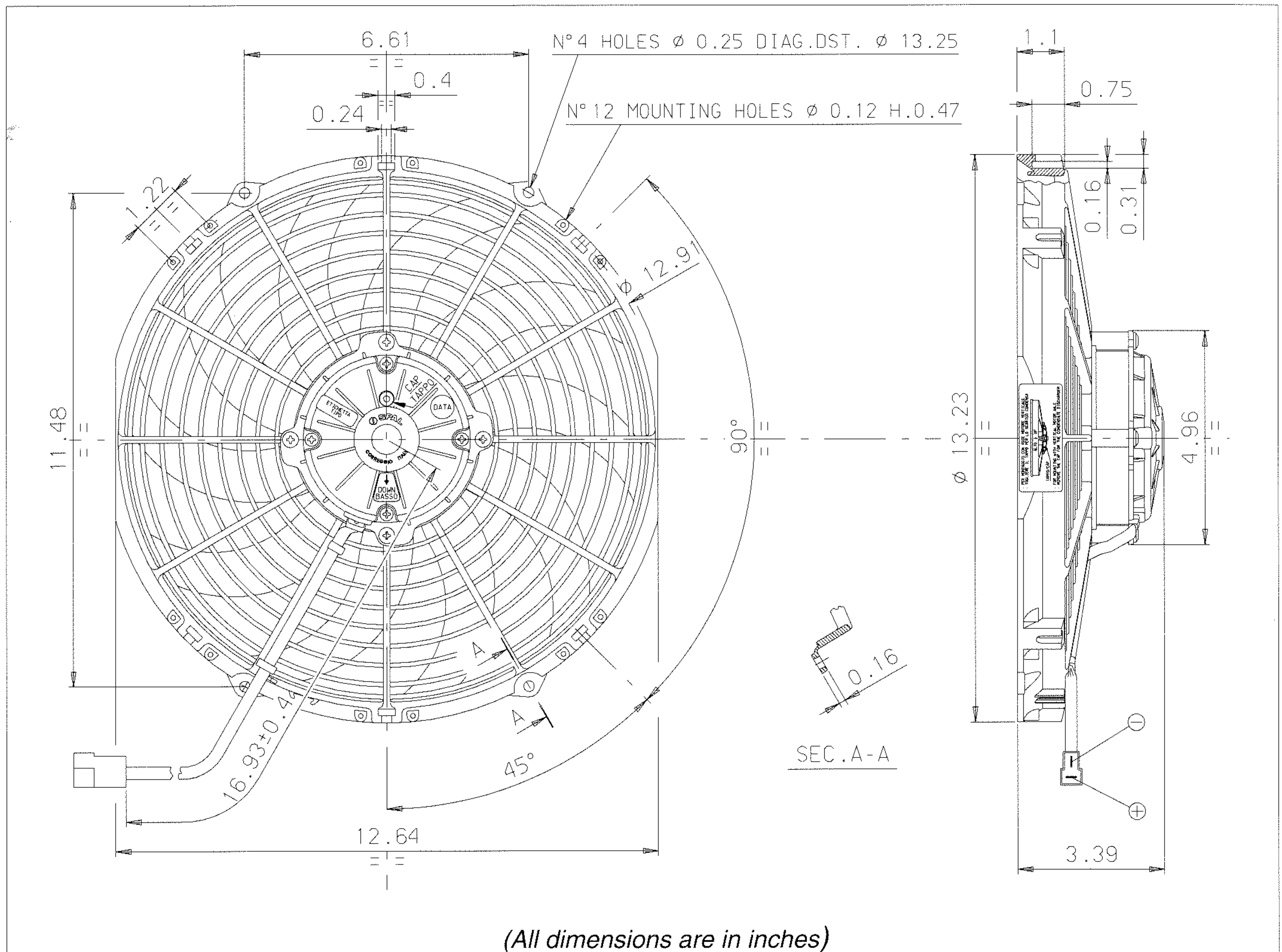


Art. 30102029 30102030	Type VA10 - AP6 - 61A Pull VA10 - AP6 - 61S Push	Fan diameter 12"
--	--	----------------------------



- * Weight 5.17 lbs. approx.
- * Long life
- * Fan with back skewed blades
- * Low noise
- * Available accessories: all the mounting kits.

Test voltage 13 V DC

Static pressure	Airflow	Current input
in. H ₂ O	cfm	A
0	1360	13.5
0.1	1300	13.6
0.2	1240	14
0.3	1130	14
0.4	1000	14.2
0.5	920	14.2
0.6	770	14.3
0.7	510	14
0.8	240	13.5
0.9	-	13.6

Static pressure: 1 mm H₂O = 0,04 in. H₂O
 Airflow: 1 m³/h = 0,59 cfm