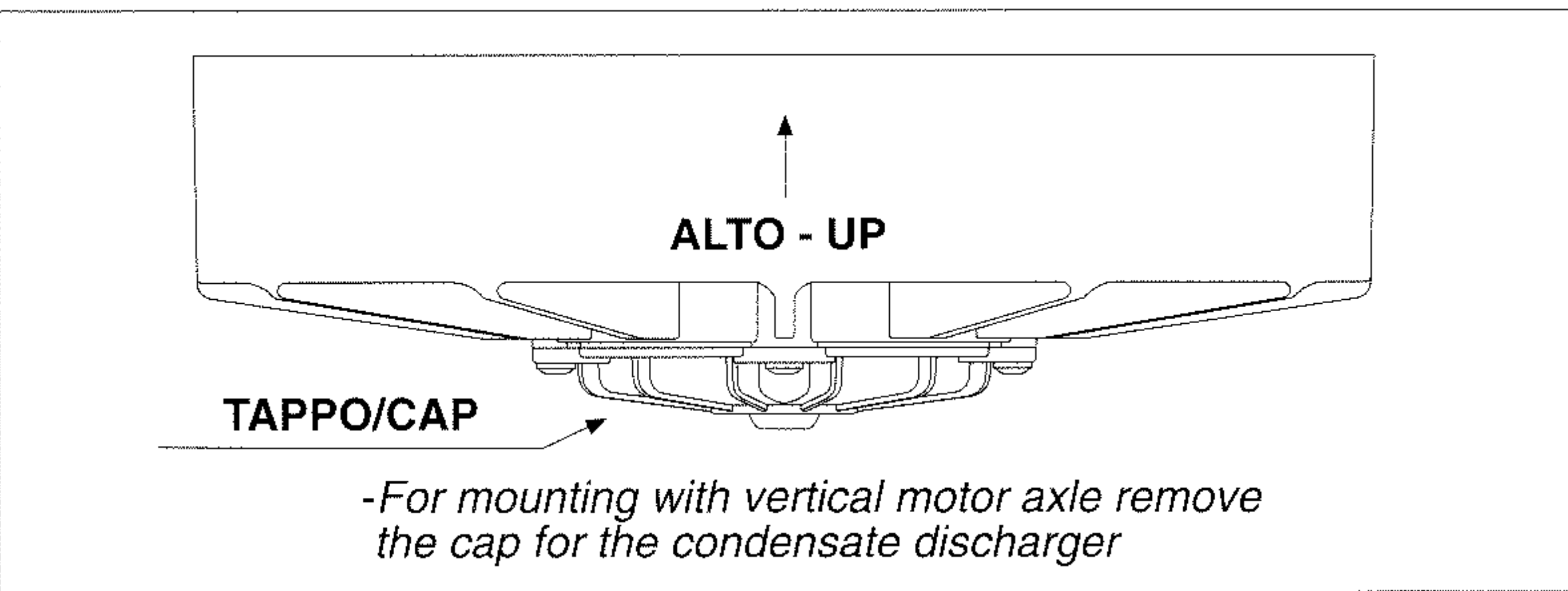
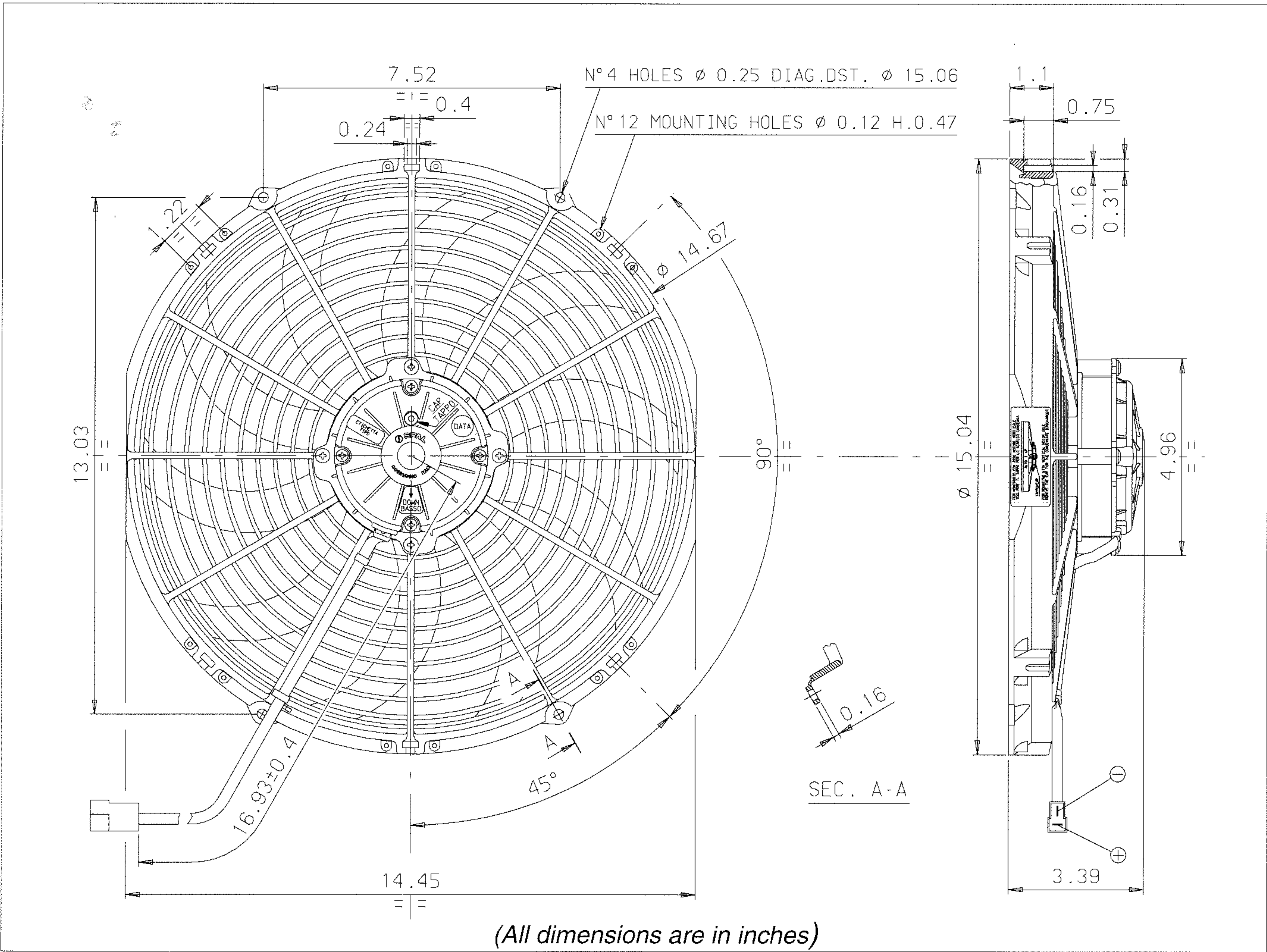


| | | |
|--|--|----------------------------|
| Art. 30102042 30102056 | Type VA08 - AP13 - 53A Pull VA08 - AP13 - 53S Push | Fan diameter 14" |
|--|--|----------------------------|



- * Weight 5.09 lbs. approx.
- * Long life
- * Fan with back skewed blades
- * Low noise
- * Available accessories: all the mounting kits.

Test voltage 13 V DC

| Static pressure | Airflow | Current input |
|----------------------|---------|---------------|
| in. H ₂ O | cfm | A |
| 0 | 1720 | 16.3 |
| 0.1 | 1600 | 16.5 |
| 0.2 | 1420 | 16.5 |
| 0.3 | 1270 | 16.6 |
| 0.4 | 990 | 16.7 |
| 0.5 | 780 | 16.5 |
| 0.6 | 480 | 15.5 |
| 0.7 | 240 | 16.5 |
| 0.8 | - | 17 |

Static pressure: 1 mm H₂O = 0,04 in. H₂O
Airflow: 1 m³/h = 0,59 cfm