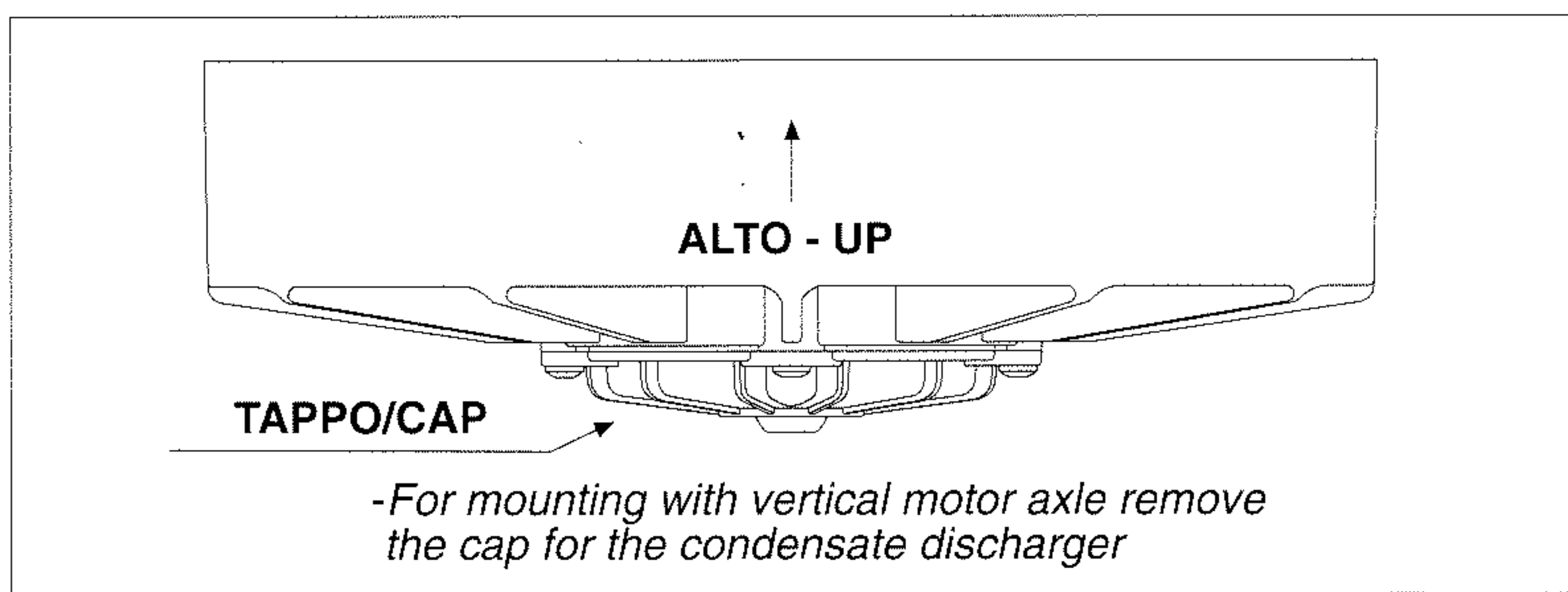
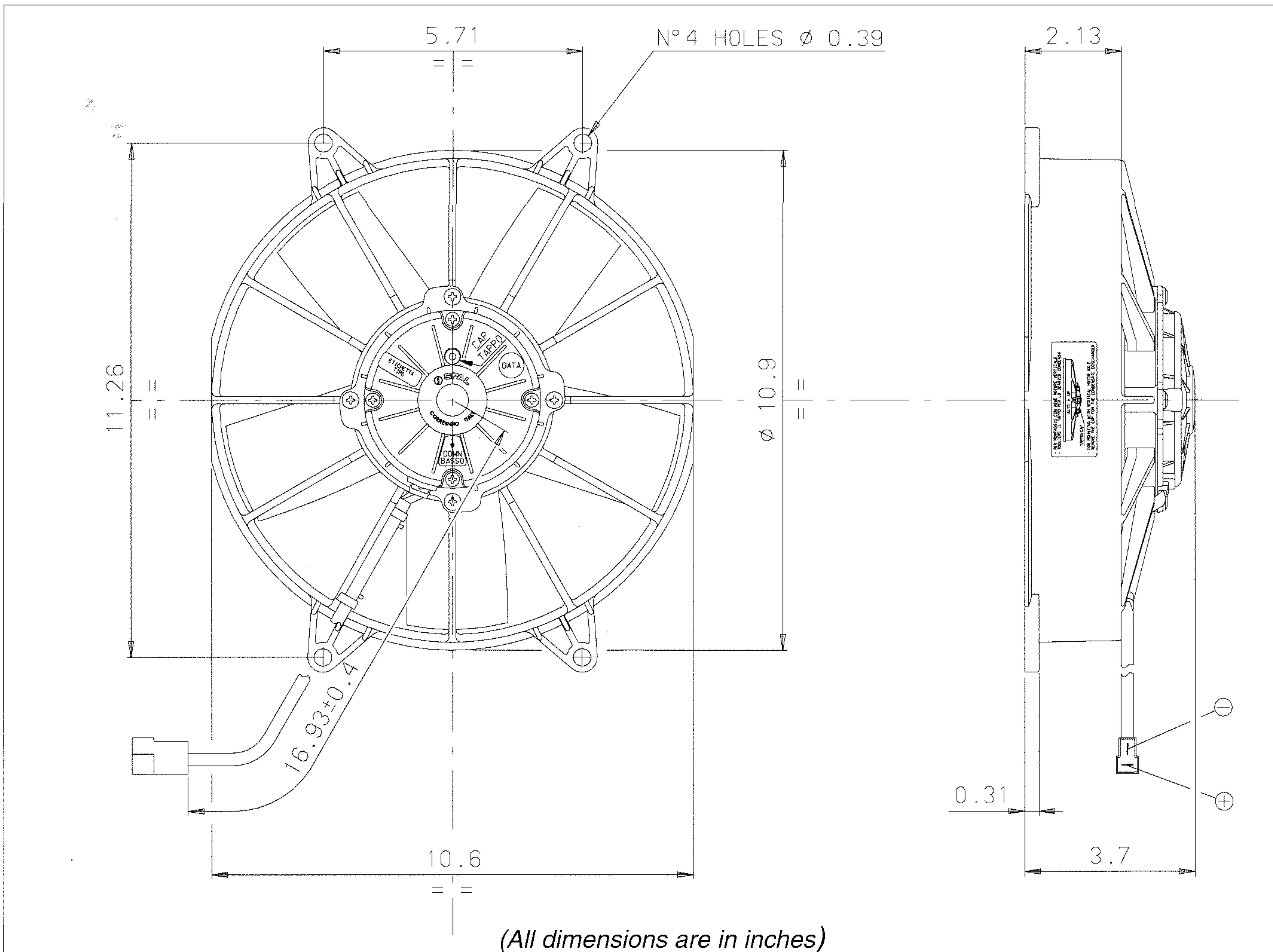


Art. 30102057 30102058	Type VA15 - AP6 - 39A Pull VA15 - AP6 - 39S Push	Fan diameter 10"
--	--	----------------------------



* Weight 4.84 lbs. approx.

* Closed motor

* Long life

Test voltage 13 V DC

Static pressure	Airflow	Current input
in. H ₂ O	cfm	A
0	1070	10
0.2	950	11
0.4	830	11.5
0.6	590	11.7
0.8	410	12.3
1.0	300	12.8
1.2	210	13.2
1.4	120	14.2
1.6	-	14.7

Static pressure: 1 mm H₂O = 0,04 in. H₂O
Airflow: 1 m³/h = 0,59 cfm